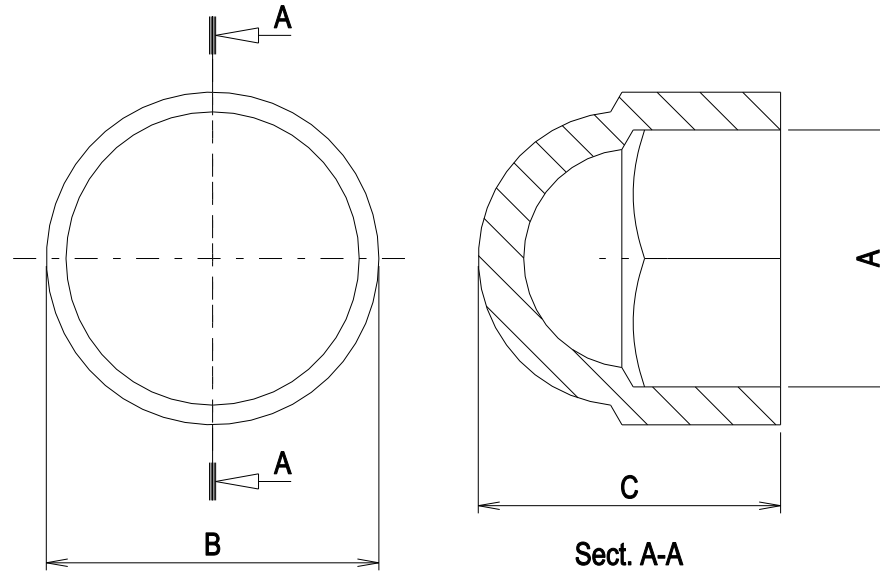
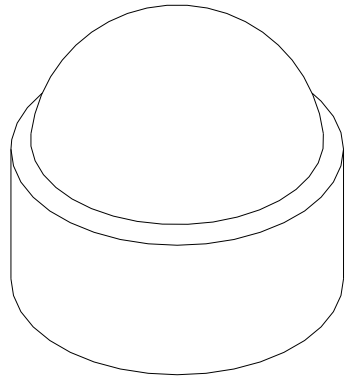


REV	MODIFICATION	DATE	DRN
A	PRELIMINARY DRAWING	22/7/24	MT



A	ACROSS FLATS
B	DIAMETER
C	HEIGHT

PLEASE REFER TO DIN TABLE FOR RELEVANT BOLT / NUT SIZE

	DESCRIPTION: NUT COVER		COLOUR: NATURAL			
	MATERIAL: NYLON		PART NUMBER:			
THIRD ANGLE 	INFORMATION CONTAINED IN THIS DOCUMENT IS CONFIDENTIAL TO RI-CO PLASTICS LTD AND MAY NOT BE DISCLOSED OR REPRODUCED IN WHOLE OR IN PART WITHOUT THEIR WRITTEN CONCENT					
					DRAWING NO:	
	DRAWN: MT	DATE: 22/7/24	CHECKED:	DATE:	SCALE: 1:1	SHEET NO. 1 OF 1