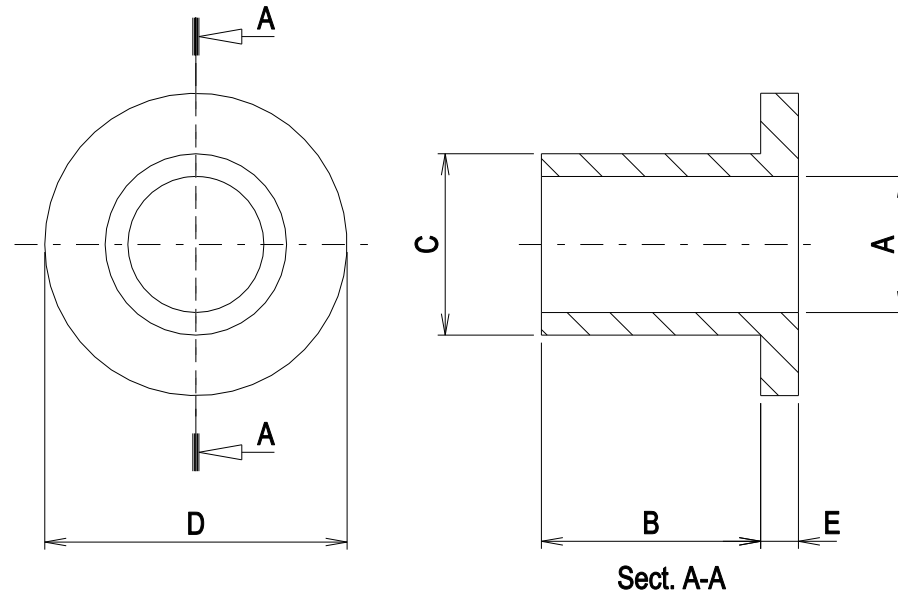
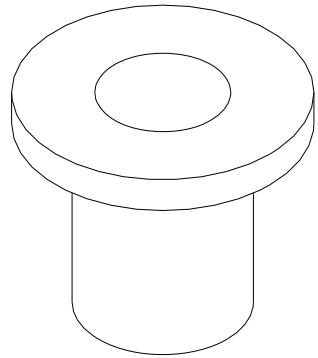
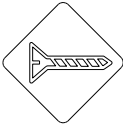
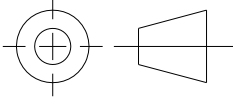


REV	MODIFICATION	DATE	DRN
A	PRELIMINARY DRAWING	4/7/24	MT



A	INNER DIAMETER
B	LENGTH
C	OUTER DIAMETER
D	HEAD DIAMETER
E	HEAD THICKNESS

 RI-CO PLASTICS	DESCRIPTION: SCREW INSULATOR	COLOUR: NATURAL
	MATERIAL: NYLON	PART NUMBER:
THIRD ANGLE 	INFORMATION CONTAINED IN THIS DOCUMENT IS CONFIDENTIAL TO RI-CO PLASTICS LTD AND MAY NOT BE DISCLOSED OR REPRODUCED IN WHOLE OR IN PART WITHOUT THEIR WRITTEN CONCENT	
	DRAWING NO:	SHEET SIZE: A4
DRAWN: MT	DATE: 4/7/24	CHECKED: DATE: SCALE: SHEET NO. 1:1 1 OF 1