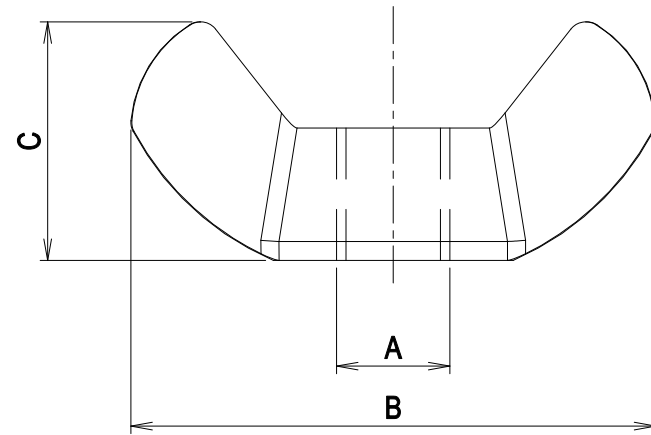
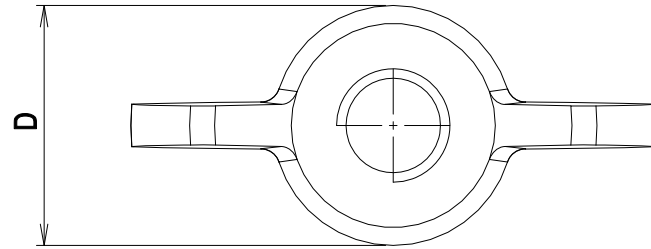
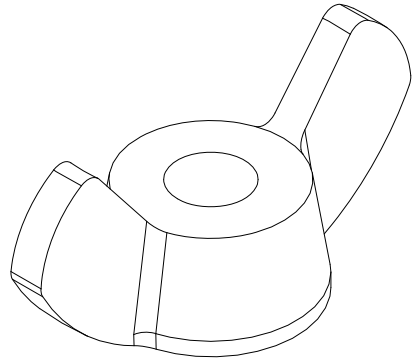
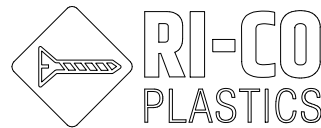


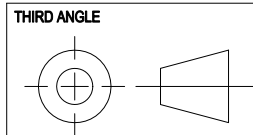
REV	MODIFICATION	DATE	DRN
A	PRELIMINARY DRAWING	16/2/25	MT



A	THREAD SIZE
B	WING WIDTH
C	WING HEIGHT
D	NUT DIAMETER



DESCRIPTION: WING NUT		COLOUR: NATURAL	
MATERIAL: NYLON		PART NUMBER:	
DRAWING NO:		SHEET SIZE: A4	
DRAWN: MT	DATE: 16/2/25	CHECKED:	DATE:
SCALE: 1:1		SHEET NO. 1 OF 1	



INFORMATION CONTAINED IN THIS DOCUMENT IS CONFIDENTIAL TO RI-CO PLASTICS LTD AND MAY NOT BE DISCLOSED OR REPRODUCED IN WHOLE OR IN PART WITHOUT THEIR WRITTEN CONCENT