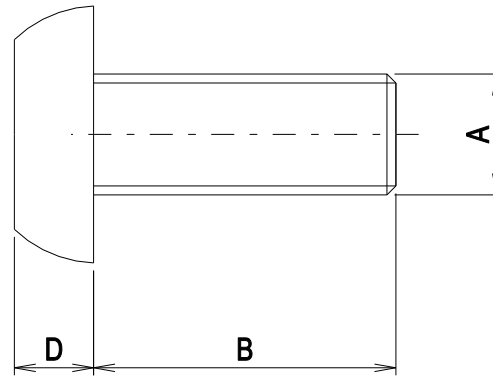
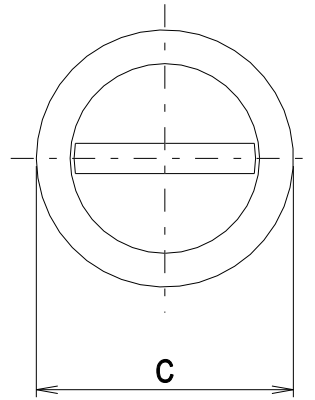
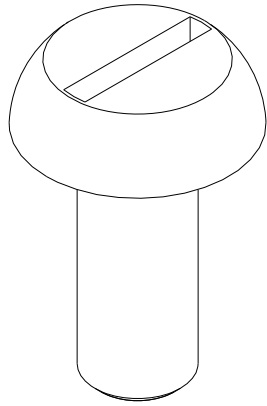
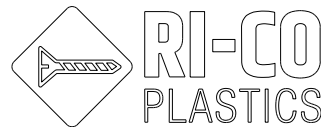


REV	MODIFICATION	DATE	DRN
A	PRELIMINARY DRAWING	30/6/24	MT



A	THREAD SIZE
B	THREAD LENGTH
C	HEAD DIAMETER
D	HEAD THICKNESS



RI-CO
PLASTICS

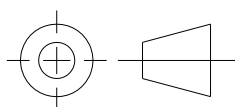
DESCRIPTION:
NUMBER PLATE SCREW

COLOUR:
NATURAL

MATERIAL:
NYLON

PART NUMBER:

THIRD ANGLE



INFORMATION CONTAINED IN THIS DOCUMENT IS CONFIDENTIAL TO RI-CO PLASTICS LTD AND MAY NOT BE DISCLOSED OR REPRODUCED IN WHOLE OR IN PART WITHOUT THEIR WRITTEN CONCENT

DRAWING NO:

SHEET SIZE:
A4

DRAWN:
MT

DATE:
30/6/24

CHECKED:

DATE:

SCALE:
1:1

SHEET NO.
1 OF 1