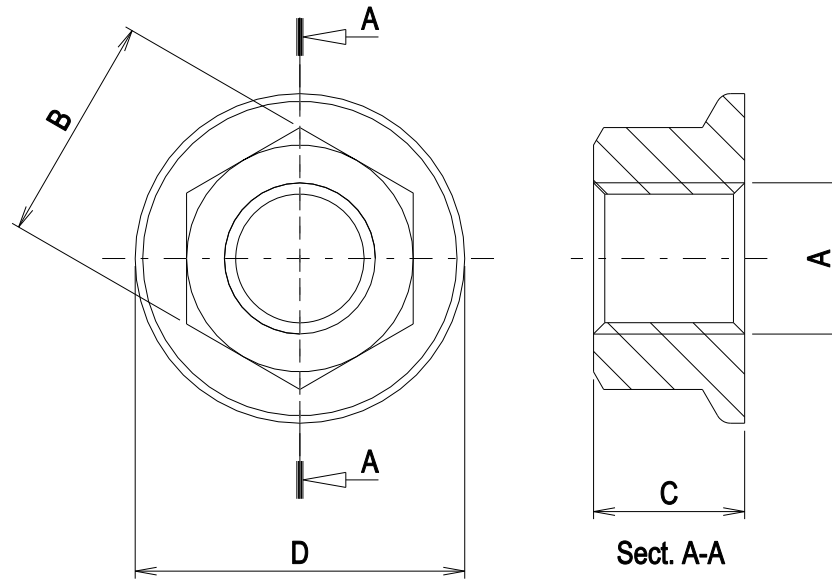
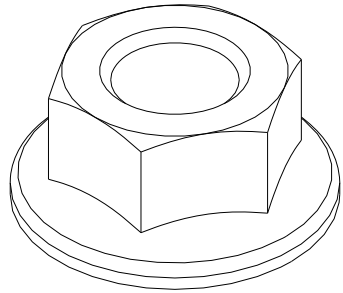


REV	MODIFICATION	DATE	DRN
A	PRELIMINARY DRAWING	30/6/24	MT



A	THREAD SIZE
B	ACROSS FLATS
C	THICKNESS
D	FLANGE DIAMETER

		DESCRIPTION: COMBINED NUT		COLOUR: NATURAL	
		MATERIAL: NYLON		PART NUMBER:	
<p>INFORMATION CONTAINED IN THIS DOCUMENT IS CONFIDENTIAL TO RI-CO PLASTICS LTD AND MAY NOT BE DISCLOSED OR REPRODUCED IN WHOLE OR IN PART WITHOUT THEIR WRITTEN CONCENT</p>		DRAWING NO:		SHEET SIZE: A4	
		DRAWN: MT	DATE: 30/6/24	CHECKED:	DATE: