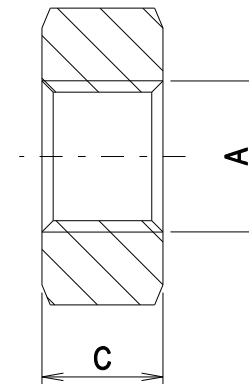
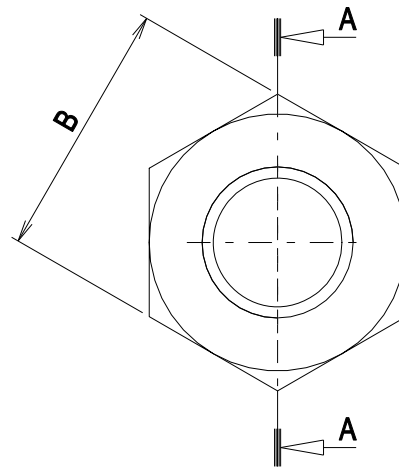
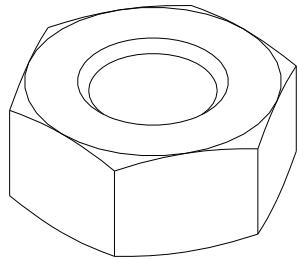
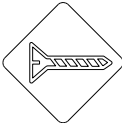
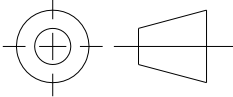


REV	MODIFICATION	DATE	DRN
A	PRELIMINARY DRAWING	30/6/24	MT



Sect. A-A

A	THREAD SIZE
B	ACROSS FLATS
C	THICKNESS

 RI-CO PLASTICS	DESCRIPTION: HEX NUT	COLOUR: NATURAL
	MATERIAL: NYLON	PART NUMBER:
THIRD ANGLE 	INFORMATION CONTAINED IN THIS DOCUMENT IS CONFIDENTIAL TO RI-CO PLASTICS LTD AND MAY NOT BE DISCLOSED OR REPRODUCED IN WHOLE OR IN PART WITHOUT THEIR WRITTEN CONCENT	
	DRAWING NO:	SHEET SIZE: A4
DRAWN: MT	DATE: 30/6/24	CHECKED: DATE:
	SCALE: 1:1	SHEET NO. 1 OF 1