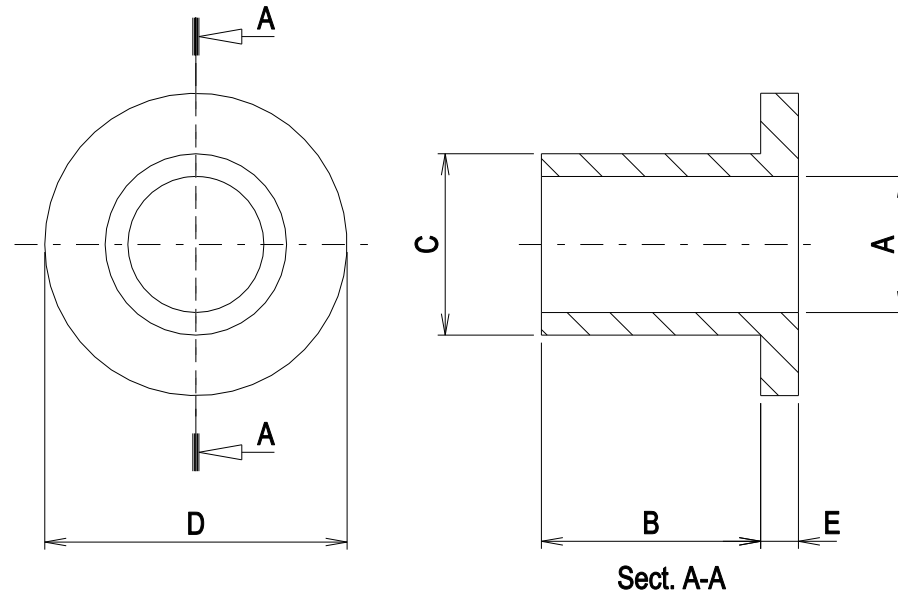
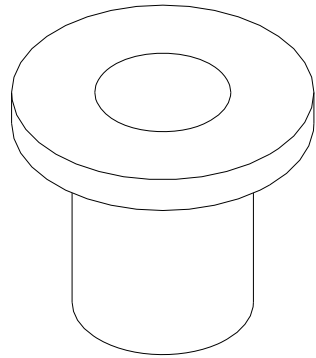


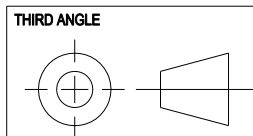
REV	MODIFICATION	DATE	DRN
A	PRELIMINARY DRAWING	4/7/24	MT



A	INNER DIAMETER
B	LENGTH
C	OUTER DIAMETER
D	HEAD DIAMETER
E	HEAD THICKNESS



DESCRIPTION: <b>SCREW INSULATOR</b>		COLOUR: <b>NATURAL</b>	
MATERIAL: <b>NYLON</b>		PART NUMBER:	
DRAWING NO:		SHEET SIZE: <b>A4</b>	
DRAWN: <b>MT</b>	DATE: <b>4/7/24</b>	CHECKED:	DATE:
SCALE: <b>1:1</b>		SHEET NO. <b>1 OF 1</b>	



INFORMATION CONTAINED IN THIS DOCUMENT IS CONFIDENTIAL TO ALLTHREAD PLASTICS LTD AND MAY NOT BE DISCLOSED OR REPRODUCED IN WHOLE OR IN PART WITHOUT THEIR WRITTEN CONCENT