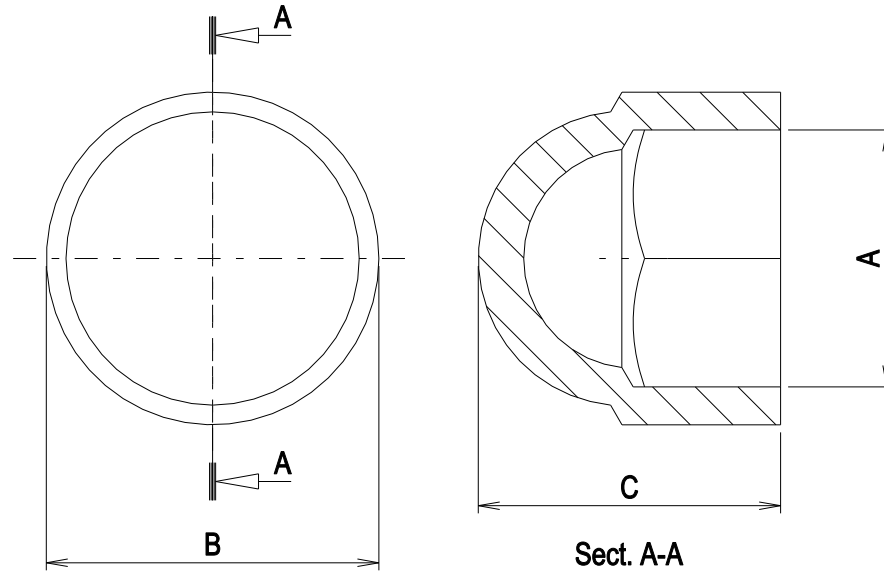
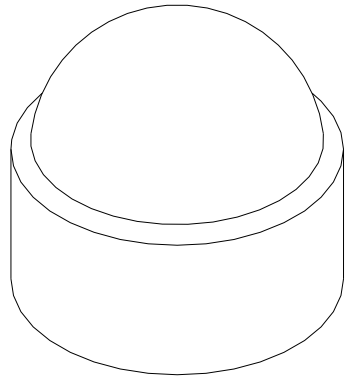


REV	MODIFICATION	DATE	DRN
A	PRELIMINARY DRAWING	22/7/24	MT

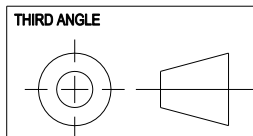


A	ACROSS FLATS
B	DIAMETER
C	HEIGHT

PLEASE REFER TO DIN TABLE FOR RELEVANT BOLT / NUT SIZE



DESCRIPTION: NUT COVER		COLOUR: NATURAL	
MATERIAL: NYLON		PART NUMBER:	
DRAWING NO:		SHEET SIZE: A4	
DRAWN: MT	DATE: 22/7/24	CHECKED:	DATE:
SCALE: 1:1		SHEET NO. 1 OF 1	



INFORMATION CONTAINED IN THIS DOCUMENT IS CONFIDENTIAL TO ALLTHREAD PLASTICS LTD AND MAY NOT BE DISCLOSED OR REPRODUCED IN WHOLE OR IN PART WITHOUT THEIR WRITTEN CONCENT